



COMMERCIAL VEHICLE AUCTIONS LTD
THE UK'S MOST ESTABLISHED COMMERCIAL VEHICLE AUCTIONEERS

Carr Hill Industrial Estate
Doncaster
DN4 8DE

01302 732600 | cva.noreply@cva-auctions.co.uk

VEHICLE INSPECTION REPORT

YD67FAU

DAF LF 150

Inspection		Vehicle	
Serious Damage?	No	VAT	Plus VAT
		V5	To Follow

Details			
Reg. date	27/10/2017	Colour	BLUE
Year	2017	VIN	XLRAEL1500L468206
Mileage	229,284 Km Warranted	Body Style	Curtainside
Fuel Type	Diesel	MOT Due	30/11/2026
GVW	7500kg	Cab Type	DAY CAB
		Gearbox	MANUAL
		Axle Combi	4x2
		Rear Suspension	Steel
		Rear Doors	Roller
		Tail Lift	Column

WARNING LIGHTS ON DASH

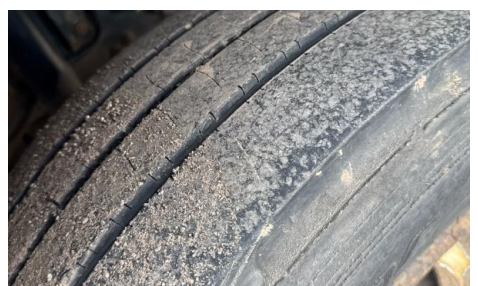
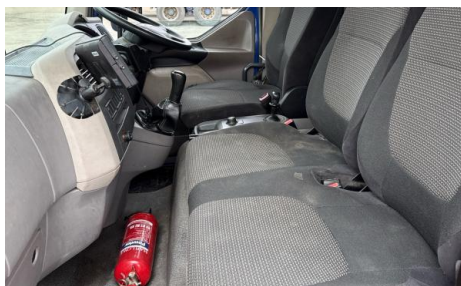
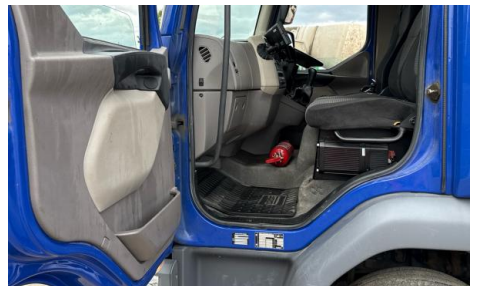
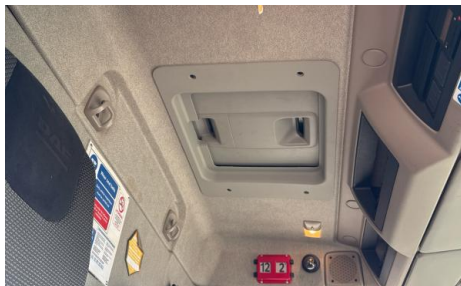
Tyres				
NSF	NSI1	NSI2	NSI3	NSI4
OSF	OSI1	OSI2	OSI3	OSI4
Spare	NSO1	NSO2	NSO3	NSO4
	OSO1	OSO2	OSO3	OSO4

Features

- Bluetooth connection
- Front electric windows
- Cruise control
- Central locking
- Park assist camera
- Cloth seat trim
- Digital radio

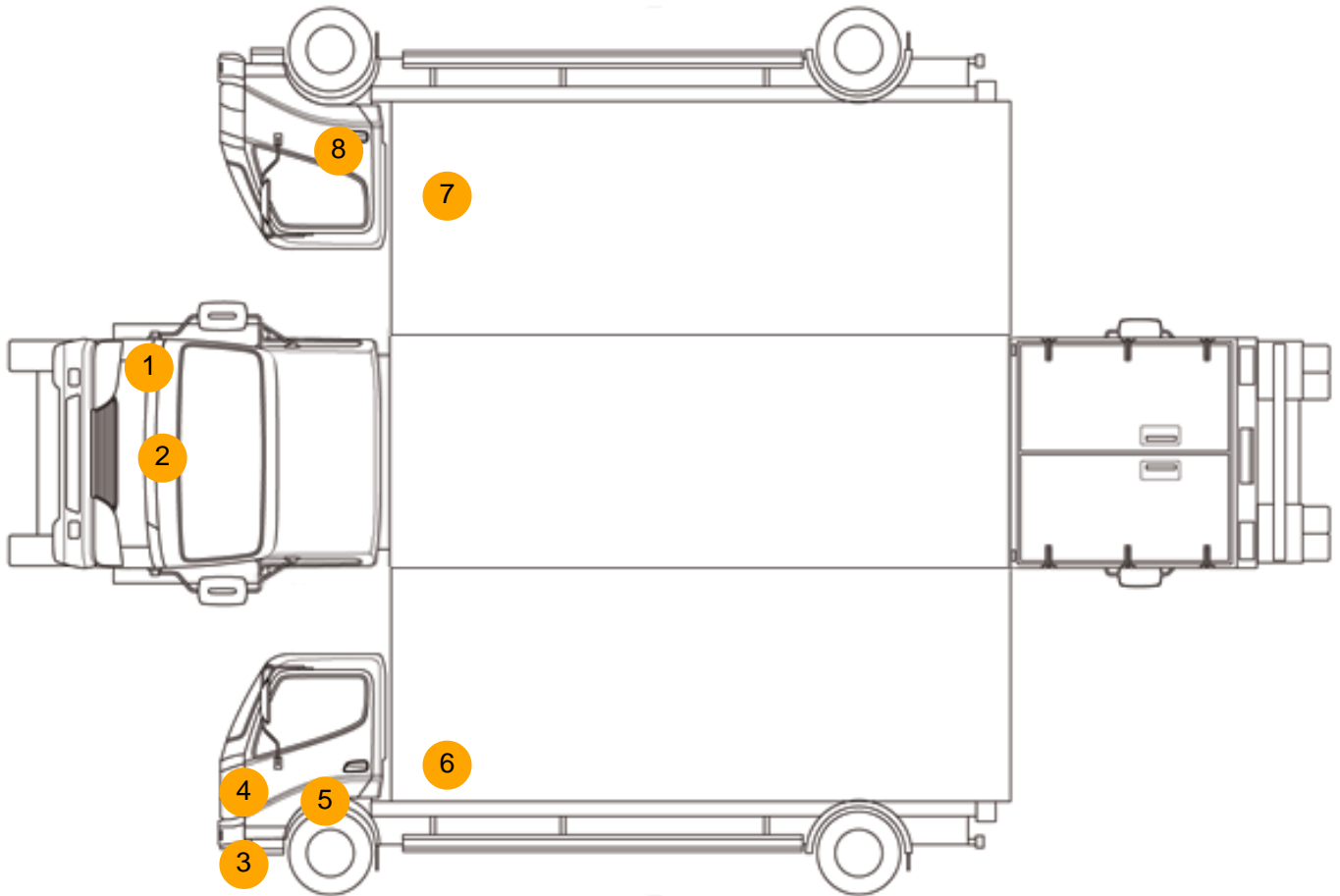
Photos







Condition Check



Damage Photos



1: Panel Front
Scratched
Over 25mm Thru Paint



2: Bonnet
Chipped
Multiple Chips



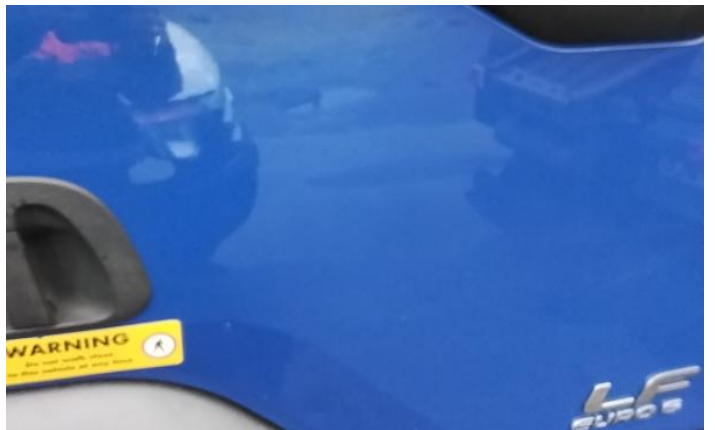
3: Bumper Front
Dented
With Paint Damage

4: Panel Front
Scratched
Over 25mm Thru Paint



5: Door nsf
Scratched
Over 25mm Thru Paint

6: Qtr Panel Trim ns
Scuffed
Over 25mm



7: Qtr Panel Trim os
Scuffed
Over 25mm

8: Door osf
Chipped
Multiple Chips



9: Door Pad osf
Soiled
Heavy

10: Seat Base Cover osf
Holed
Over 3mm



11: Seat Base Cover nsf
Soiled
Heavy

12: Dash Warning Lights
Displayed
No Action

Interior

Carpet Condition
Seat Condition

OK
Poor

Upholstery Condition
Odour

Poor
-

Engine Runs	OK	No Excessive Smoking	OK
EML light illuminated	OK	DPF light illuminated	OK
ABS light illuminated	OK		