



**COMMERCIAL VEHICLE AUCTIONS LTD**  
THE UK'S MOST ESTABLISHED COMMERCIAL VEHICLE AUCTIONEERS

Carr Hill Industrial Estate  
Doncaster  
DN4 8DE

01302 732600 | cva.noreply@cva-auctions.co.uk

# VEHICLE INSPECTION REPORT

**BU14FBD**

## Mercedes-Benz Econic 2629

Inspection		Vehicle	
Serious Damage?	No	VAT	Plus VAT
		V5	Present

Details					
Reg. date	12/03/2014	Colour	WHITE	Gearbox	AUTOMATIC
Year	2014	VIN	WDB9576562V234918	Axle Combi	6x2
Mileage	175,351 Km Warranted	Body Style	Refuse Collector	Rear Suspension	Air
Fuel Type	Diesel	MOT Due	30/11/2026		
GVW	26000kg	Cab Type	CREW CAB		

OLYMPUS BODY, SPLIT TERBERG LIFT

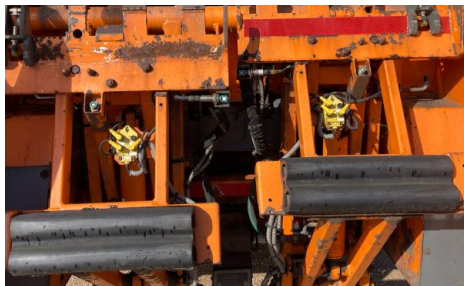
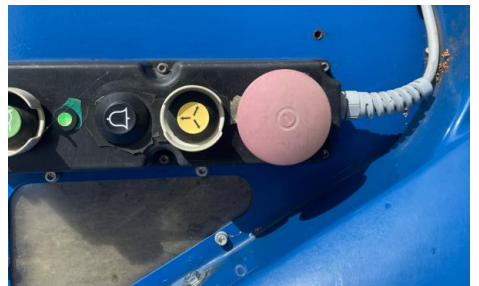
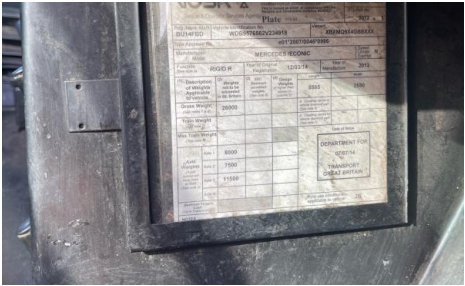
Tyres				
NSF	NSI1	NSI2	NSI3	NSI4
OSF	OSI1	OSI2	OSI3	OSI4
Spare	NSO1	NSO2	NSO3	NSO4
	OSO1	OSO2	OSO3	OSO4

## Features

- Park assist camera

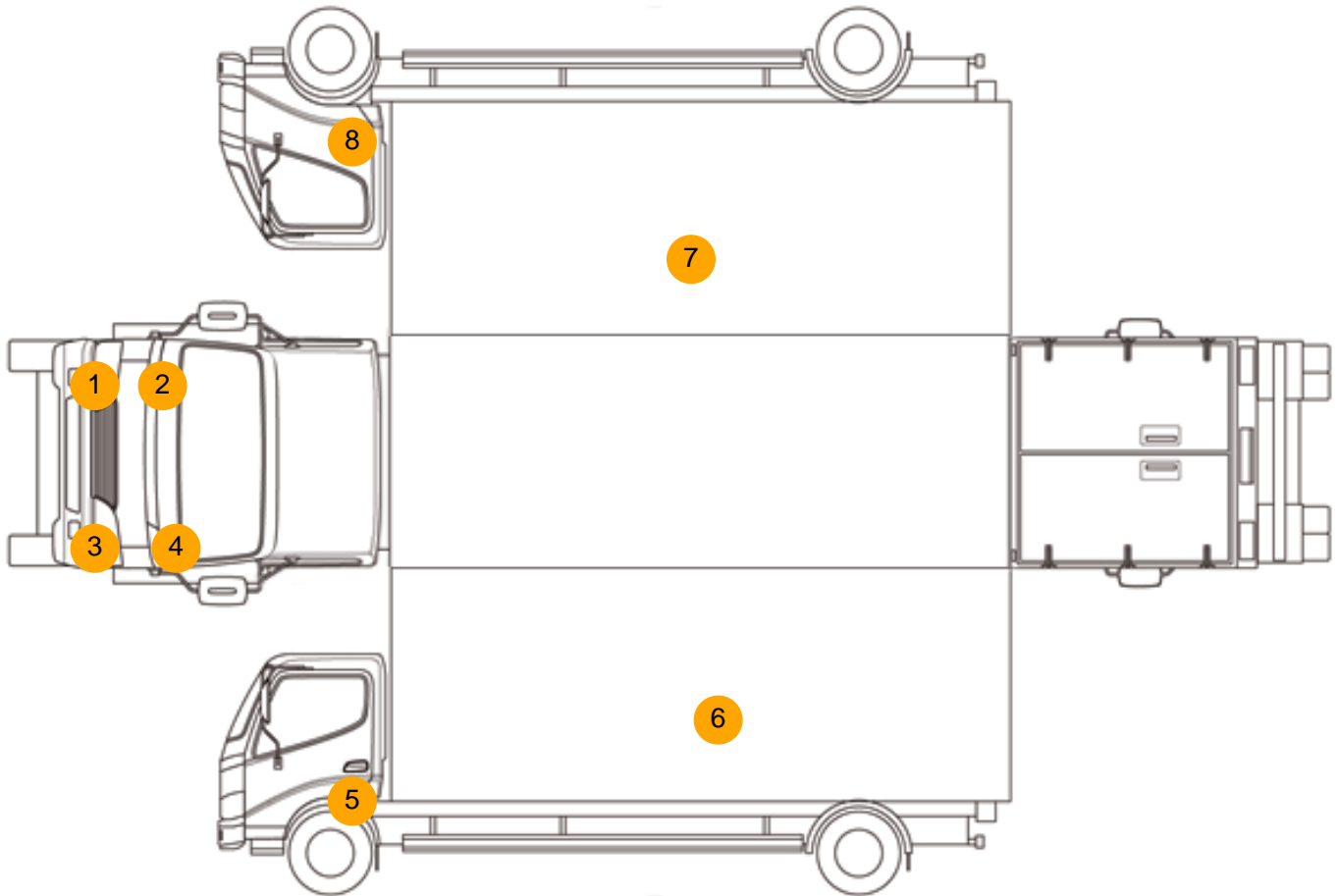
## Photos







## Condition Check



## Damage Photos



1: Bumper Front  
Cracked  
Over 25mm



2: Wing of  
Scratched  
Over 25mm Not Thru Paint



3: Bumper Front  
Scratched  
Over 25mm Not Thru Paint

4: Wing nsf  
Scratched  
Over 25mm Not Thru Paint



5: Wing Front Arch Extension ns  
Broken  
Replace

6: Qtr Panel nsr  
Scratched  
Over 25mm Not Thru Paint



7: Qtr Panel osr  
Scratched  
Over 25mm Not Thru Paint

8: Wing Front Arch Extension os  
Broken  
Replace



9: Carpets Front  
Holed  
Over 3mm

10: Seat Base Cover of  
Holed  
Over 3mm



11: Switches And Controls  
Broken  
Replace

**Interior**

Carpet Condition	Average	Upholstery Condition	Average
Seat Condition	Average	Odour	-
Engine Runs	OK	Gearbox 1st and Reverse Test	OK
Brakes	OK	Clutch Slip Test from Static	OK
Parking Brake	OK	Gearbox Static Gear Selection (engine running)	OK
		No Excessive Smoking	OK
EML light illuminated	OK	Oil warning light illuminated	OK
Airbag light illuminated	OK	DPF light illuminated	OK
ABS light illuminated	OK	Service indicator light illuminated	OK